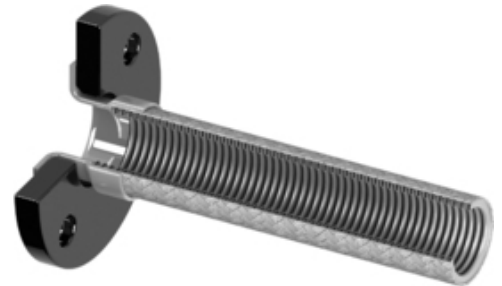


## SE112 Double Braided Corrugated Hose

Standard model stainless steel corrugated hose double braided (2-layers) for medium pressure systems.

Available with various standard and non-standard couplings at any length required. Couplings are available in carbon steel, stainless steel, brass or cast iron.

For detailed technical specifications on SE112 double braided stainless steel corrugated hoses please check the following table and documents or [contact us](#).



Note | type-SE112-stainless-steel-corrugated-hose

### ▶ Features

- ✓ stainless steel flexible hose
- ✓ corrugated double braided construction
- ✓ various couplings available
- ✓ fully customizable item

## ▶ Technical Specifications

| DN<br>[mm]  <br>[inch] | Pressure **              |                            |   |   |     | Static<br>Bend<br>Radius<br>[mm] | Dynamic<br>Bend<br>Radius<br>[mm] | Approx.<br>Weight<br>[g/m] |
|------------------------|--------------------------|----------------------------|---|---|-----|----------------------------------|-----------------------------------|----------------------------|
|                        | Nominal<br>(PN)<br>[bar] | Braid<br>Fracture<br>[bar] | Service<br>at Triple<br>Protection<br>[bar] | Service<br>at<br>Quadruple<br>Protection<br>[bar] |     |                                  |                                   |                            |
| 6                      | 1/4"                     | 150                        | 864   | 288   | 216 | -                                | 110                               | 260                        |
| 8                      | 1/4"                     | 100                        | 766   | 253   | 191 | -                                | 135                               | 350                        |
| 10                     | 3/8"                     | 100                        | 500   | 164   | 125 | -                                | 145                               | 490                        |
| 12                     | 1/2"                     | 100                        | 410   | 136   | 105 | -                                | 175                               | 580                        |
| 15                     | 5/8"                     | 100                        | 420   | 140   | 105 | -                                | 200                               | 630                        |
| 20                     | 3/4"                     | 65                         | 310   | 103   | 77  | -                                | 220                               | 910                        |
| 25                     | 1"                       | 65                         | 290   | 96  | 72  | -                                | 245                               | 1410                       |
| 32                     | 1<br>1/4"                | 50                         | 240   | 80  | 60  | -                                | 300                               | 1700                       |
| 40                     | 1<br>1/2"                | 50                         | 230   | 76  | 57  | -                                | 330                               | 2180                       |
| 50                     | 2"                       | 40                         | 180   | 60  | 45  | -                                | 385                               | 2640                       |
| 65                     | 2<br>1/2"                | 25                         | 152   | 50  | 38  | -                                | 450                               | 4090                       |
| 80                     | 3"                       | 25                         | 112   | 37  | 28  | -                                | 500                               | 4210                       |
| 100                    | 4"                       | 25                         | 104   | 34  | 26  | -                                | 620                               | 5500                       |
| 125                    | 5"                       | 20                         | 80  | 26  | 20  | -                                | 730                               | 9480                       |
| 150                    | 6"                       | 16                         | 64  | 21  | 16  | -                                | 900                               | 11120                      |
| 200                    | 8"                       | 10                         | 48  | 16  | 12  | -                                | 1120                              | 16270                      |
| 250                    | 10"                      | 10                         | 40  | 13  | 10  | -                                | 1320                              | 23470                      |

\* other sizes available on individual request

\*\* for higher working pressure please ask.

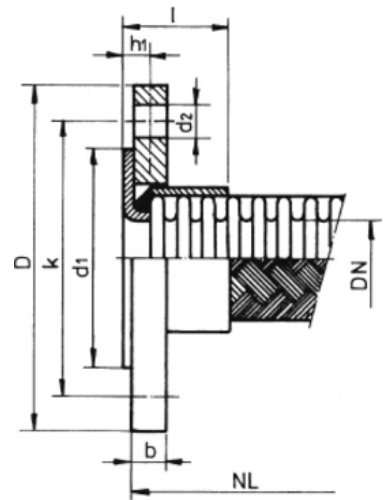
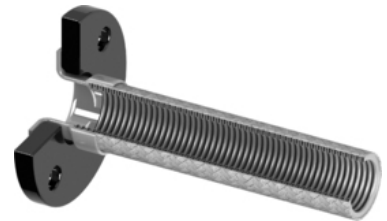
## ▶ Couplings Types

### ▶ Flanged Couplings

#### ▶ Coupling AE201

Collar and swivel flange assembly for stainless steel corrugated hose type SE110.

Available in carbon steel and stainless steel. Flanges according to DIN , ANSI , other known standards or custom design.



| DN<br>[mm] | l<br>[mm] | h1<br>[mm] |
|------------|-----------|------------|
| 10         | 29        | 9          |
| 15         | 29        | 9          |
| 20         | 32        | 12         |
| 25         | 40        | 20         |
| 32         | 40        | 20         |
| 40         | 40        | 20         |
| 50         | 40        | 20         |
| 65         | 40        | 20         |
| 80         | 50        | 25         |
| 100        | 50        | 25         |
| 125        | 60        | 30         |
| 150        | 70        | 30         |

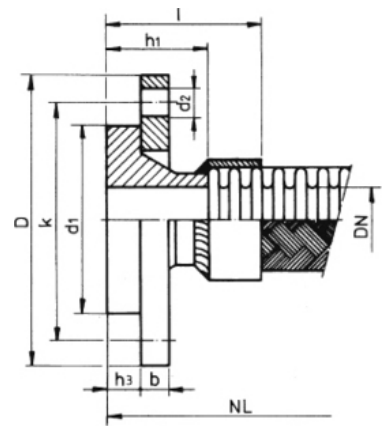
\* Acc. to DIN EN 1092 type 02 + 33 in PN10

\*\* for other DN and D, k, d1, d2, b measurements please check Standard's Page or Catalog Appendix.

► Coupling AE202

Weld-on shoulder and floating flange coupling assembly for stainless steel corrugated hose type SE110.

Available in carbon steel and stainless steel. Flanges according to DIN , ANSI , other known standards or custom design.



| DN [mm] | l [mm] | h1 [mm] | h3 [mm] |
|---------|--------|---------|---------|
| 10      | 55     | 35      | 12      |
| 15      | 55     | 38      | 12      |
| 20      | 60     | 40      | 14      |
| 25      | 60     | 40      | 14      |
| 32      | 60     | 42      | 14      |
| 40      | 60     | 45      | 14      |
| 50      | 65     | 45      | 16      |
| 65      | 65     | 45      | 16      |
| 80      | 75     | 50      | 16      |
| 100     | 75     | 52      | 18      |
| 125     | 80     | 55      | 18      |
| 150     | 90     | 55      | 20      |

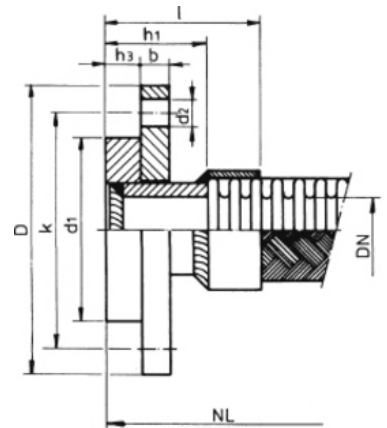
\* Acc. to DIN EN 1092 type 04 + 34 in PN10-PN16

\*\* for other DN and D, k, d1, d2, b measurements please check Standard's Page or Catalog Appendix.

► Coupling AE203

Collar sockets and swivel flange assembly for stainless steel corrugated hose type SE110.

Available in carbon steel and stainless steel. Flanges according to DIN , ANSI , other known standards or custom design.



| DN [mm] | l [mm] | h1 [mm] | h3 [mm] |
|---------|--------|---------|---------|
| 10      | 75     | 55      | 12      |
| 15      | 75     | 55      | 12      |
| 20      | 80     | 60      | 14      |
| 25      | 85     | 65      | 14      |
| 32      | 90     | 70      | 14      |
| 40      | 95     | 75      | 14      |
| 50      | 95     | 75      | 16      |
| 65      | 100    | 80      | 16      |
| 80      | 110    | 85      | 16      |
| 100     | 115    | 90      | 16      |
| 125     | 120    | 90      | 18      |
| 150     | 135    | 95      | 20      |

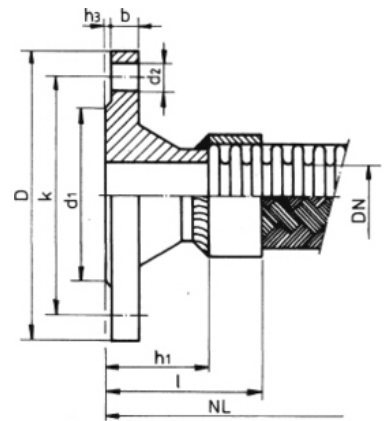
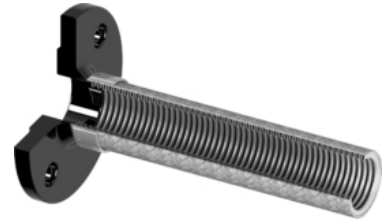
\* Acc. to DIN EN 1092 type 02 + 32 in PN10-PN16

\*\* for other DN and D, k, d1, d2, b measurements please check Standard's Page or Catalog Appendix.

► Coupling AE204

Weld-on (fixed) flange coupling assembly for stainless steel corrugated hose type SE110.

Available in carbon steel and stainless steel. Flanges according to DIN , ANSI , other known standards or custom design.



| DN<br>[mm] | l<br>[mm] | h1<br>[mm] |
|------------|-----------|------------|
| 10         | 55        | 35         |
| 15         | 55        | 38         |
| 20         | 58        | 40         |
| 25         | 58        | 40         |
| 32         | 60        | 42         |
| 40         | 62        | 45         |
| 50         | 65        | 45         |
| 65         | 65        | 45         |
| 80         | 75        | 50         |
| 100        | 77        | 52         |
| 125        | 85        | 55         |
| 150        | 95        | 55         |

\* Acc. to DIN EN 1092 type 11 in PN10-PN16

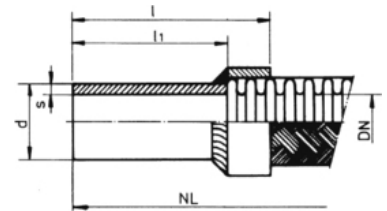
\*\* for other DN and D, k, d1, d2, b measurements please check Standard's Page or Catalog Appendix.

## ► Pipe / Welding-ends Couplings

### ► Coupling AE301

Welding-end coupling assembly for stainless steel corrugated hose type SE110.

Available in carbon steel and stainless steel. Sizes acc. to standards or mechanized to custom specifications.



| DN<br>[mm] | d<br>[mm] | s<br>[mm] | l<br>[mm] | l1<br>[mm] |
|------------|-----------|-----------|-----------|------------|
| 6          | 8         | 1         | 70        | 50         |
| 10         | 13.5      | 1.8 *     | 70        | 50         |
| 12         | 17.2      | 1.8 *     | 70        | 50         |
| 15         | 21.3      | 2         | 70        | 50         |
| 20         | 26.9      | 2.6       | 75        | 55         |
| 25         | 33.7      | 2.6       | 80        | 60         |
| 32         | 42.4      | 2.6       | 85        | 65         |
| 40         | 48.3      | 2.6       | 90        | 70         |
| 50         | 60.3      | 2.9       | 90        | 70         |
| 65         | 76.1      | 2.9       | 95        | 75         |
| 80         | 88.9      | 3.2       | 105       | 80         |
| 100        | 114.3     | 3.6       | 110       | 85         |
| 125        | 139.7     | 4         | 115       | 85         |
| 150        | 168.3     | 4,5 **    | 130       | 90         |
| 200        | 219.1     | 6.3 **    | 140       | 100        |
| 250        | 273.0     | 6.3 **    | 140       | 100        |
| 300        | 323.9     | 7,1 **    | 140       | 100        |

\* 1.6mm for stainless steel

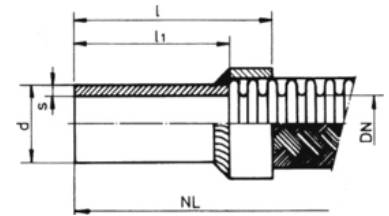
\*\* 4.0mm for stainless steel

\*\*\* other pipe diameters, thickness or length on request

## ► Coupling AE302

Tubular fitting for pipe coupling with cutting and locking ring assembly for SE110 hose.

Available in carbon steel and stainless steel. Sizes acc. to standards or mechanized to custom specifications.



| DN<br>[mm] | d<br>[mm] | s<br>[mm] | l<br>[mm] | l1<br>[mm] |
|------------|-----------|-----------|-----------|------------|
| 6          | 8         | 1         | 48        | 28         |
| 8          | 10        | 1         | 50        | 30         |
| 10         | 12        | 1.5       | 50        | 30         |
| 12         | 15        | 1.5       | 52        | 32         |
| 15         | 18        | 1.5       | 52        | 32         |
| 20         | 22        | 1.5       | 56        | 36         |
| 25         | 28        | 1.5       | 60        | 40         |
| 32         | 35        | 2         | 65        | 45         |
| 40         | 42        | 2         | 65        | 45         |

\* other pipe diameters, thickness or length on request

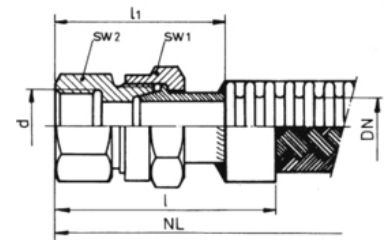


## ► Cone Seal Threaded Couplings

### ► Coupling AE401

Internal thread with 24 degree cone seal assembly for stainless steel corrugated hose type SE110.

Available in carbon steel and stainless steel. Sizes acc. to standards or mechanized to custom specifications.



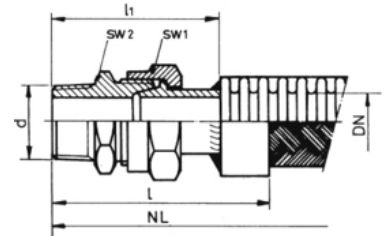
| DN<br>[mm] | d<br>DIN2999 | l<br>[mm] | l1<br>[mm] | SW1<br>[mm] | SW2<br>[mm] |
|------------|--------------|-----------|------------|-------------|-------------|
| 6          | 1/4"         | 65        | 45         | 19          | 19          |
| 10         | 3/8"         | 68        | 48         | 22          | 22          |
| 12         | 1/2"         | 75        | 32         | 27          | 32          |
| 15         | 1/2"         | 75        | 55         | 32          | 27          |
| 20         | 3/4"         | 82        | 62         | 36          | 32          |
| 25         | 1"           | 87        | 67         | 41          | 41          |
| 32         | 1 1/4"       | 93        | 73         | 50          | 46          |
| 40         | 1 1/2"       | 97        | 77         | 60          | 55          |
| 50         | 2"           | 105       | 85         | 70          | 65          |

\* other thread connection, i.e. metric, NPT, cylindrical available on request

► Coupling AE403

External thread with 24 degree cone seal assembly for stainless steel corrugated hose type SE110.

Available in carbon steel and stainless steel. Sizes acc. to standards or mechanized to custom specifications.



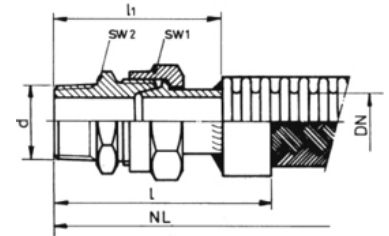
| DN<br>[mm] | d<br>DIN2999 | l<br>[mm] | l1<br>[mm] | SW1<br>[mm] | SW2<br>[mm] |
|------------|--------------|-----------|------------|-------------|-------------|
| 6          | 1/4"         | 70        | 50         | 19          | 17          |
| 10         | 3/8"         | 73        | 53         | 22          | 19          |
| 12         | 1/2"         | 82        | 62         | 32          | 27          |
| 15         | 1/2"         | 82        | 62         | 32          | 27          |
| 20         | 3/4"         | 90        | 70         | 36          | 32          |
| 25         | 1"           | 95        | 75         | 41          | 41          |
| 32         | 1 1/4"       | 101       | 81         | 50          | 46          |
| 40         | 1 1/2"       | 107       | 87         | 60          | 55          |
| 50         | 2"           | 113       | 93         | 70          | 65          |

\* other thread connection, i.e. metric, NPT, cylindrical available on request

► Coupling AE404

Welding-end with 24 degree cone seal assembly for stainless steel corrugated hose type SE110.

Available in carbon steel and stainless steel. Sizes acc. to standards or mechanized to custom specifications.



| DN [mm] | d x s [mm] | l [mm] | l1 [mm] | SW1 [mm] | SW2 [mm] |
|---------|------------|--------|---------|----------|----------|
| 6       | 8x1        | 70     | 50      | 19       | 17       |
| 10      | 13.5x1.8*  | 73     | 53      | 22       | 19       |
| 12      | 17.2x1.8*  | 82     | 62      | 32       | 27       |
| 15      | 21.3x2     | 82     | 62      | 32       | 27       |
| 20      | 26.9x2.6   | 90     | 70      | 36       | 32       |
| 25      | 33.7x2.6   | 95     | 75      | 41       | 41       |
| 32      | 42.4x2.6   | 101    | 81      | 50       | 46       |
| 40      | 48.3x2.6   | 107    | 87      | 60       | 55       |
| 50      | 60.3x2.9   | 113    | 93      | 70       | 65       |

\* 1.6mm for stainless steel

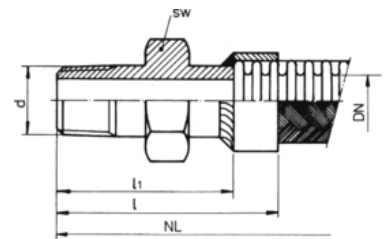
\*\* other lengths available on request

## ▶ Hex Nipple / Socket

### ▶ Coupling AE405

Hexagon nipple and tapered external thread assembly for stainless steel corrugated hose type SE110.

Available in carbon steel and stainless steel. Sizes acc. to standards or mechanized to custom specifications.



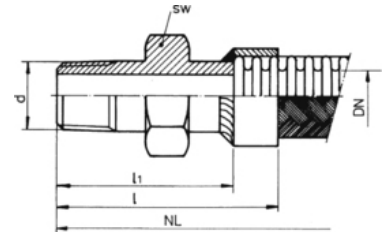
| DN<br>[mm] | d<br>DIN2999 | l<br>[mm] | l1<br>[mm] | SW<br>[mm] |
|------------|--------------|-----------|------------|------------|
| 6          | 1/4"         | 45        | 25         | 17         |
| 10         | 3/8"         | 48        | 28         | 19         |
| 12         | 1/2"         | 51        | 31         | 22         |
| 15         | 1/2"         | 51        | 31         | 22         |
| 20         | 3/4"         | 52        | 32         | 27         |
| 25         | 1"           | 60        | 40         | 36         |
| 32         | 1 1/4"       | 63        | 43         | 46         |
| 40         | 1 1/2"       | 66        | 46         | 50         |
| 50         | 2"           | 70        | 50         | 60         |
| 65         | 2 1/2"       | 80        | 60         | 80         |
| 80         | 3"           | 100       | 75         | 95         |

\* for complete thread specifications please check our Standard's Page of Catalog Appendix

► Coupling AE406

Hexagon nipple and cylindrical external thread assembly for stainless steel corrugated hose type SE110.

Available in carbon steel and stainless steel. Sizes acc. to standards or mechanized to custom specifications.



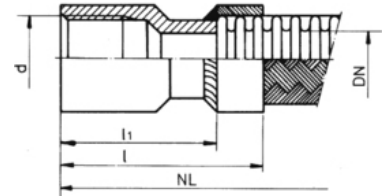
| DN<br>[mm] | d<br>ISO228 | l<br>[mm] | l1<br>[mm] | SW<br>[mm] |
|------------|-------------|-----------|------------|------------|
| 6          | 1/4"        | 45        | 25         | 17         |
| 10         | 3/8"        | 48        | 28         | 19         |
| 12         | 1/2"        | 51        | 31         | 22         |
| 15         | 1/2"        | 51        | 31         | 22         |
| 20         | 3/4"        | 52        | 32         | 27         |
| 25         | 1"          | 60        | 40         | 36         |
| 32         | 1 1/4"      | 63        | 43         | 46         |
| 40         | 1 1/2"      | 66        | 46         | 50         |
| 50         | 2"          | 70        | 50         | 60         |
| 65         | 2 1/2"      | 80        | 60         | 80         |
| 80         | 3"          | 100       | 75         | 95         |

\* for complete thread specifications please check our Standard's Page of Catalog Apppendix

► Coupling AE408

Socket with internal thread assembly for stainless steel corrugated hose type SE110.

Available in carbon steel and stainless steel. Sizes acc. to standards or mechanized to custom specifications.



| DN<br>[mm] | d<br>DIN2999 | l<br>[mm] | l1<br>[mm] |
|------------|--------------|-----------|------------|
| 6          | 1/4"         | 45        | 25         |
| 10         | 3/8"         | 46        | 26         |
| 12         | 1/2"         | 54        | 34         |
| 15         | 1/2"         | 54        | 34         |
| 20         | 3/4"         | 56        | 36         |
| 25         | 1"           | 63        | 43         |
| 32         | 1 1/4"       | 68        | 48         |
| 40         | 1 1/2"       | 68        | 48         |
| 50         | 2"           | 76        | 56         |
| 65         | 2 1/2"       | 85        | 65         |
| 80         | 3"           | 96        | 71         |

\* for complete thread specifications please check our Standard's Page of Catalog Appendix

## ▶ Holander Assembly

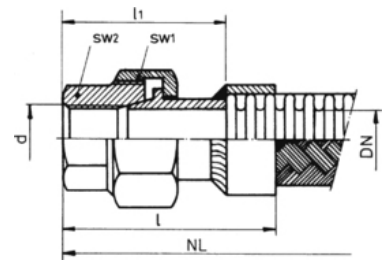
### ▶ Coupling AE501

Internal thread with cone seal assembly for stainless steel corrugated hose type SE110.

Available in malleable cast iron, carbon steel and stainless steel. Sizes acc. to standards or mechanized to custom specifications.



| DN<br>[mm] | d<br>DIN2999 | l<br>[mm] | l1<br>[mm] | SW1<br>[mm] | SW2<br>[mm] |
|------------|--------------|-----------|------------|-------------|-------------|
| 6          | 1/4"         | 65        | 45         | 28          | 18          |
| 10         | 3/8"         | 67        | 47         | 32          | 22          |
| 12         | 1/2"         | 74        | 54         | 39          | 26          |
| 15         | 1/2"         | 74        | 54         | 39          | 26          |
| 20         | 3/4"         | 79        | 59         | 48          | 31          |
| 25         | 1"           | 84        | 64         | 54          | 38          |
| 32         | 1 1/4"       | 87        | 67         | 67          | 48          |
| 40         | 1 1/2"       | 91        | 71         | 73          | 54          |
| 50         | 2"           | 102       | 82         | 90          | 66          |



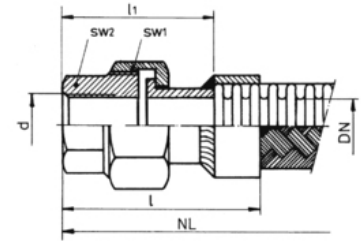
\* other thread connection, i.e. metric, NPT, cylindrical available on request

\*\* for complete thread specifications please check our Standard's Page of Catalog Appendix

► Coupling AE502

Internal thread with flat seal assembly for stainless steel corrugated hose type SE110.

Available in malleable cast iron, carbon steel and stainless steel. Sizes acc. to standards or mechanized to custom specifications.



| DN<br>[mm] | d<br>DIN2999 | l<br>[mm] | l1<br>[mm] | SW1<br>[mm] | SW2<br>[mm] |
|------------|--------------|-----------|------------|-------------|-------------|
| 6          | 1/4"         | 65        | 45         | 28          | 18          |
| 10         | 3/8"         | 67        | 47         | 32          | 22          |
| 12         | 1/2"         | 74        | 54         | 39          | 26          |
| 15         | 1/2"         | 74        | 54         | 39          | 26          |
| 20         | 3/4"         | 79        | 59         | 48          | 31          |
| 25         | 1"           | 84        | 64         | 54          | 38          |
| 32         | 1 1/4"       | 87        | 67         | 67          | 48          |
| 40         | 1 1/2"       | 91        | 71         | 73          | 54          |
| 50         | 2"           | 102       | 82         | 90          | 66          |

\* other thread connection, i.e. metric, NPT, cylindrical available on request

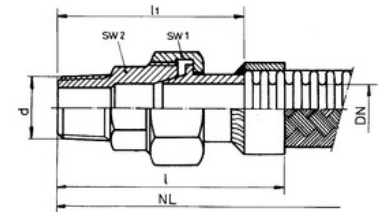
\*\* for complete thread specifications please check our Standard's Page of Catalog Appendix



► Coupling AE503

External thread with cone seal assembly for stainless steel corrugated hose type SE110.

Available in malleable cast iron, carbon steel and stainless steel. Sizes acc. to standards or mechanized to custom specifications.



| DN [mm] | d DIN2999 | l [mm] | l1 [mm] | SW1 [mm] | SW2 [mm] |
|---------|-----------|--------|---------|----------|----------|
| 6       | 1/4"      | 78     | 58      | 28       | 18       |
| 10      | 3/8"      | 83     | 63      | 32       | 22       |
| 12      | 1/2"      | 93     | 73      | 39       | 26       |
| 15      | 1/2"      | 93     | 73      | 39       | 26       |
| 20      | 3/4"      | 101    | 81      | 48       | 31       |
| 25      | 1"        | 107    | 87      | 54       | 38       |
| 32      | 1 1/4"    | 111    | 91      | 67       | 48       |
| 40      | 1 1/2"    | 117    | 97      | 73       | 54       |
| 50      | 2"        | 131    | 111     | 90       | 66       |

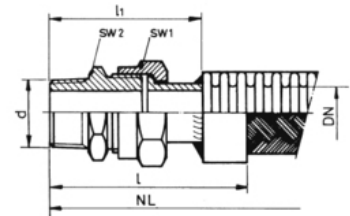
\* other thread connection, i.e. metric, NPT, cylindrical available on request

\*\* for complete thread specifications please check our Standard's Page of Catalog Appendix

► Coupling AE504

External thread with flat seal assembly for stainless steel corrugated hose type SE110.

Available in malleable cast iron, carbon steel and stainless steel. Sizes acc. to standards or mechanized to custom specifications.



| DN<br>[mm] | d<br>DIN2999 | l<br>[mm] | l1<br>[mm] | SW1<br>[mm] | SW2<br>[mm] |
|------------|--------------|-----------|------------|-------------|-------------|
| 6          | 1/4"         | 78        | 58         | 28          | 18          |
| 10         | 3/8"         | 83        | 63         | 32          | 22          |
| 12         | 1/2"         | 93        | 73         | 39          | 26          |
| 15         | 1/2"         | 93        | 73         | 39          | 26          |
| 20         | 3/4"         | 101       | 81         | 48          | 31          |
| 25         | 1"           | 107       | 87         | 54          | 38          |
| 32         | 1 1/4"       | 111       | 91         | 67          | 48          |
| 40         | 1 1/2"       | 117       | 97         | 73          | 54          |
| 50         | 2"           | 131       | 111        | 90          | 66          |

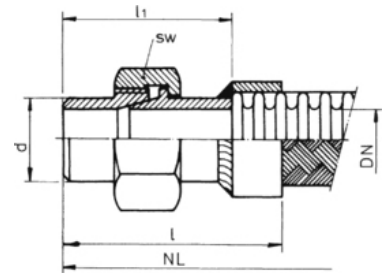
\* other thread connection, i.e. metric, NPT, cylindrical available on request

\*\* for complete thread specifications please check our Standard's Page of Catalog Appendix

## ► Coupling AE505

Pipe / Weld-end coupling with cone seal assembly for stainless steel corrugated hose type SE110.

Available in carbon steel and stainless steel. Sizes acc. to standards or mechanized to custom specifications.



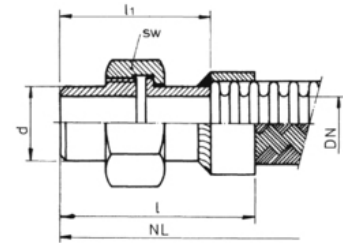
| DN<br>[mm] | d<br>[mm] | l<br>[mm] | l1<br>[mm] | SW<br>[mm] |
|------------|-----------|-----------|------------|------------|
| 10         | 13.5      | 62        | 42         | 27         |
| 12         | 17.2      | 65        | 45         | 27         |
| 15         | 21.3      | 74        | 54         | 32         |
| 20         | 26.9      | 80        | 60         | 41         |
| 25         | 33.7      | 87        | 67         | 50         |
| 32         | 42.4      | 95        | 75         | 60         |
| 40         | 48.3      | 101       | 81         | 70         |
| 50         | 60.3      | 114       | 94         | 85         |
| 65         | 76.1      | 122       | 102        | 100        |
| 80         | 88.9      | 132       | 107        | 120        |

\* other pipe sizes and lengths available on request

► Coupling AE506

Pipe / Weld-end coupling with flat seal assembly for stainless steel corrugated hose type SE110.

Available in carbon steel and stainless steel. Sizes acc. to standards or mechanized to custom specifications.



| DN<br>[mm] | d<br>[mm] | l<br>[mm] | l1<br>[mm] | SW<br>[mm] |
|------------|-----------|-----------|------------|------------|
| 10         | 13.5      | 62        | 42         | 27         |
| 12         | 17.2      | 65        | 45         | 27         |
| 15         | 21.3      | 74        | 54         | 32         |
| 20         | 26.9      | 80        | 60         | 41         |
| 25         | 33.7      | 87        | 67         | 50         |
| 32         | 42.4      | 95        | 75         | 60         |
| 40         | 48.3      | 101       | 81         | 70         |
| 50         | 60.3      | 114       | 94         | 85         |
| 65         | 76.1      | 122       | 102        | 100        |
| 80         | 88.9      | 132       | 107        | 120        |

\* other pipe sizes and lengths available on request

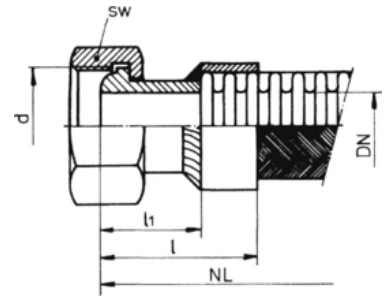
► Coupling AE507

Swivel nut with internal thread and spherical seal assembly for stainless steel corrugated hose type SE110.

Available in carbon steel and stainless steel. Sizes acc. to standards or mechanized to custom specifications.



| DN<br>[mm] | DIN2999 |    | ISO228 |    | l<br>[mm] | l1<br>[mm] |
|------------|---------|----|--------|----|-----------|------------|
|            | d       | SW | d      | SW |           |            |
| 6          | 1/4"    | 17 | 14x1.5 | 17 | 44        | 24         |
| 8          | 3/8"    | 20 | 16x1.5 | 19 | 44        | 24         |
| 10         | 1/2"    | 24 | 18x1.5 | 22 | 45        | 25         |
| 12         | 5/8"    | 27 | 22x1.5 | 27 | 48        | 28         |
| 15         | 3/4"    | 32 | 26x1.5 | 32 | 49        | 29         |
| 20         | 1"      | 41 | 30x2   | 36 | 50        | 30         |
| 25         | 1 1/4"  | 50 | 36x2   | 41 | 55        | 35         |
| 32         | 1 1/2"  | 55 | 45x2   | 50 | 55        | 35         |
| 40         | 2"      | 65 | 52x2   | 60 | 55        | 35         |
| 50         | 2 1/2"  | 75 | -      | -  | 65        | 45         |



\* other thread connection, i.e. metric, NPT, cylindrical available on request

\*\* for complete thread specifications please check our Standard's Page of Catalog Appendix

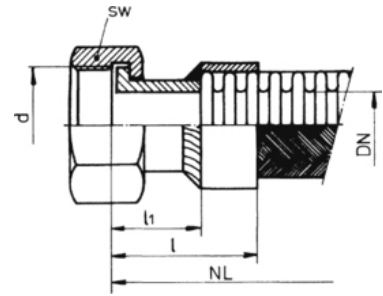
► Coupling AE508

Swivel nut with internal thread and flat seal assembly for stainless steel corrugated hose type SE110.

Available in carbon steel and stainless steel. Sizes acc. to standards or mechanized to custom specifications.



| DN<br>[mm] | DIN2999 |    | ISO228 |    | l<br>[mm] | l1<br>[mm] |
|------------|---------|----|--------|----|-----------|------------|
|            | d       | SW | d      | SW |           |            |
| 6          | 1/4"    | 17 | 14x1.5 | 17 | 44        | 24         |
| 8          | 3/8"    | 20 | 16x1.5 | 19 | 44        | 24         |
| 10         | 1/2"    | 24 | 18x1.5 | 22 | 45        | 25         |
| 12         | 5/8"    | 27 | 22x1.5 | 27 | 48        | 28         |
| 15         | 3/4"    | 32 | 26x1.5 | 32 | 49        | 29         |
| 20         | 1"      | 41 | 30x2   | 36 | 50        | 30         |
| 25         | 1 1/4"  | 50 | 36x2   | 41 | 55        | 35         |
| 32         | 1 1/2"  | 55 | 45x2   | 50 | 55        | 35         |
| 40         | 2"      | 65 | 52x2   | 60 | 55        | 35         |
| 50         | 2 1/2"  | 75 | -      | -  | 65        | 45         |



\* other thread connection, i.e. metric, NPT, cylindrical available on request

\*\* for complete thread specifications please check our Standard's Page of Catalog Appendix